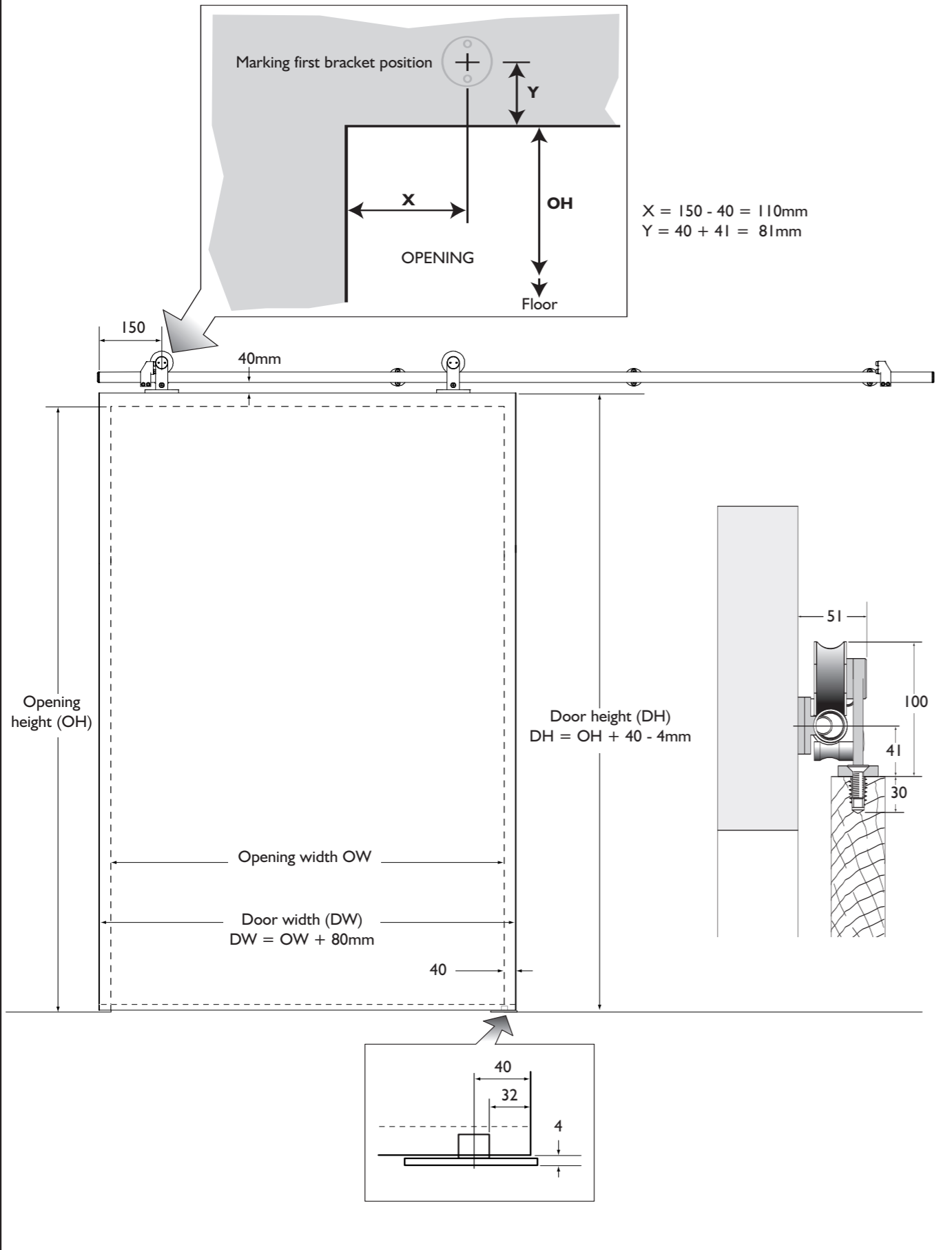


## 9 Dimensions

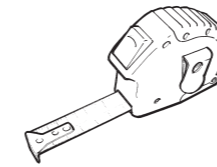


# HENDERSON

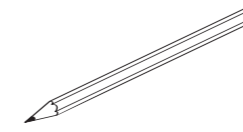
# Sienna Timber

## FITTING INSTRUCTIONS - NOTICE DE POSE - MONTAGE HANDLEIDING - MONTAGEANLEITUNG ISTRUZIONI DI MONTAGGIO - INSTRUCCIONES DE MONTAJE

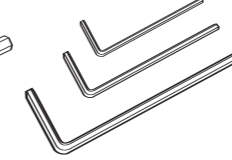
### Tools Required



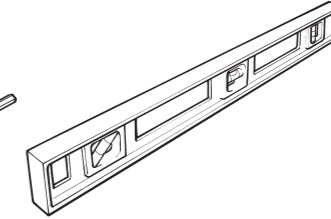
Tape measure



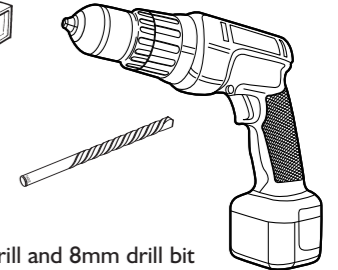
Pencil



Allen keys 4, 6 and 8mm

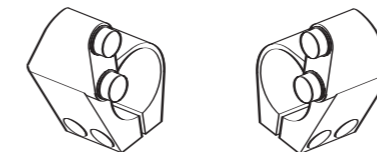


Spirit Level



Drill and 8mm drill bit

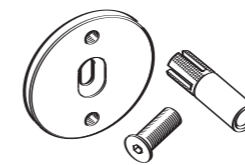
### Contents of Kit



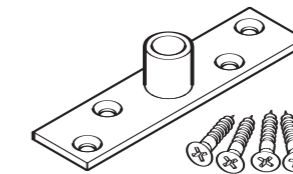
Rail stop Left & Right x 2



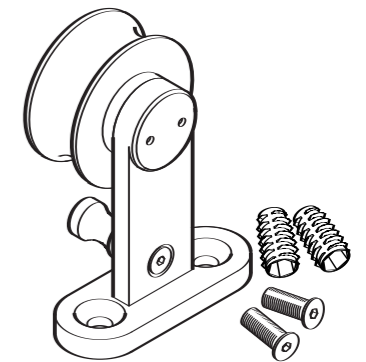
End Plug x 2



Fixing Plate  
(Quantity dependent on bar length)

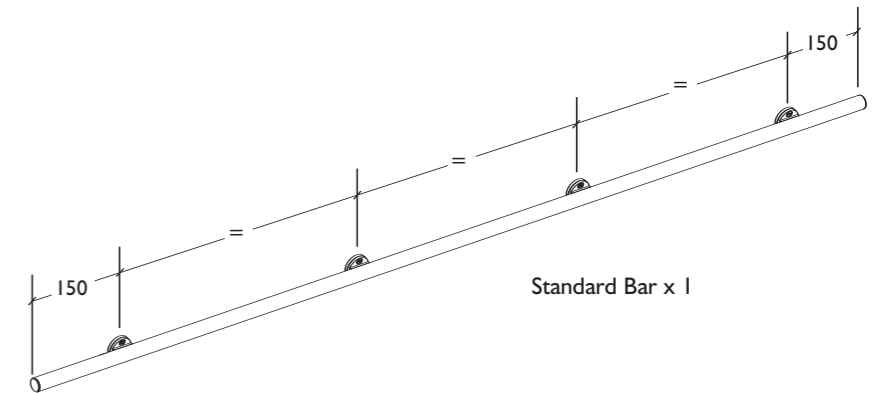


Floor Guide x 1



Hanger x 2

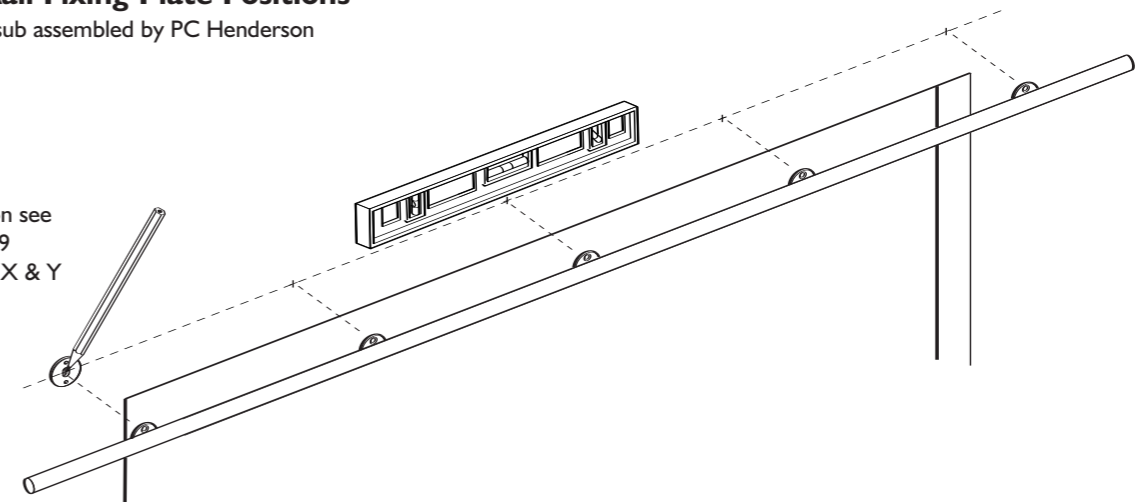
Standard Bar	No. of Fixing Plates / Brackets
2000mm	4
2500mm	5
3000mm	6
3500mm	7
4000mm	8
5000mm	11



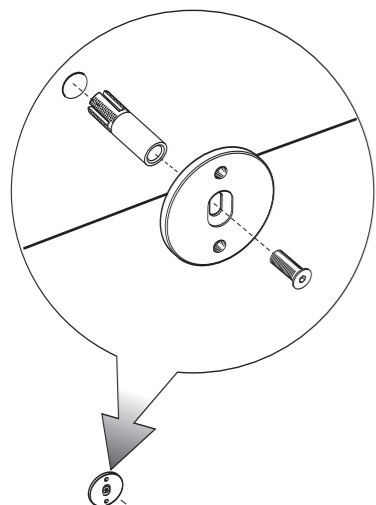
### I Mark Rail Fixing Plate Positions

\*Brackets sub assembled by PC Henderson

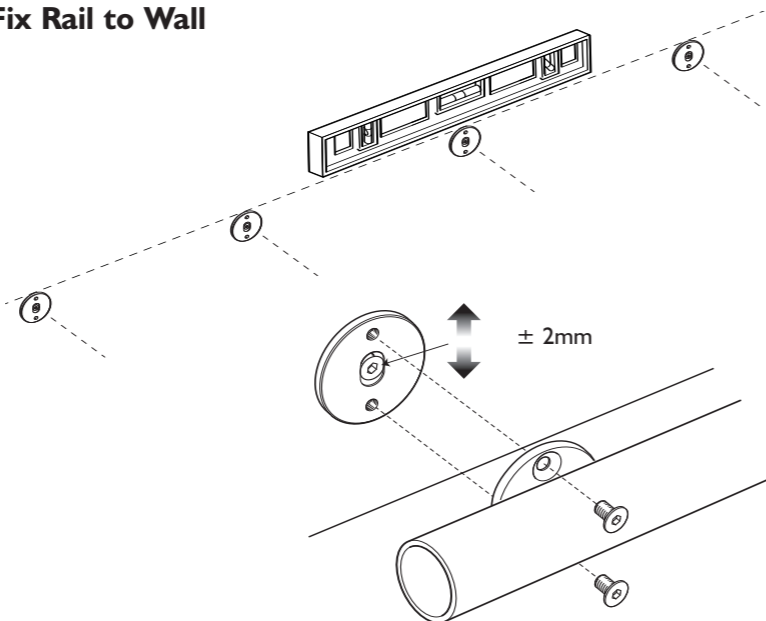
For position see figure 9 dimensions X & Y



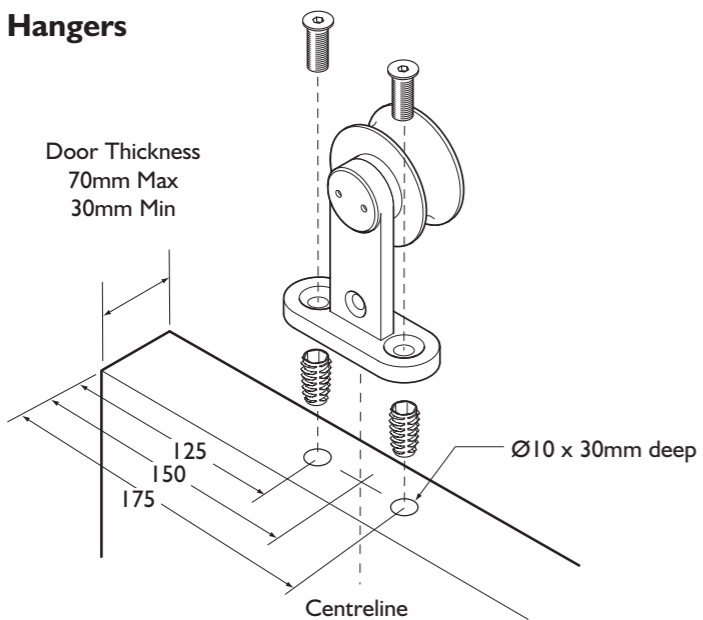
## 2 Fix Wall Plates



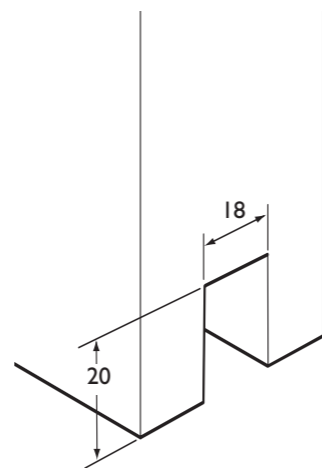
## 3 Fix Rail to Wall



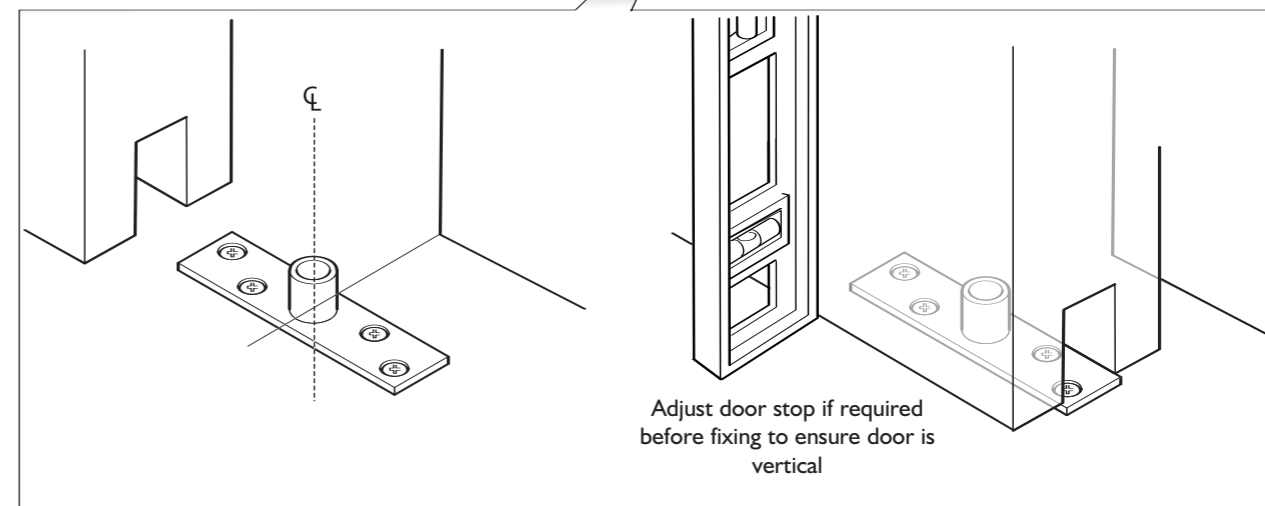
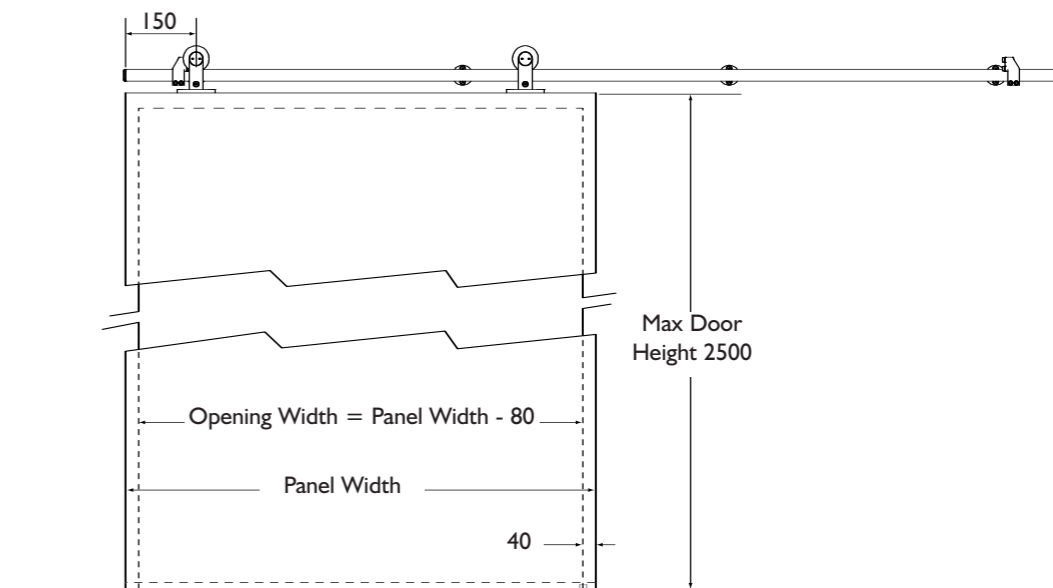
## 4 Fit Door Hangers



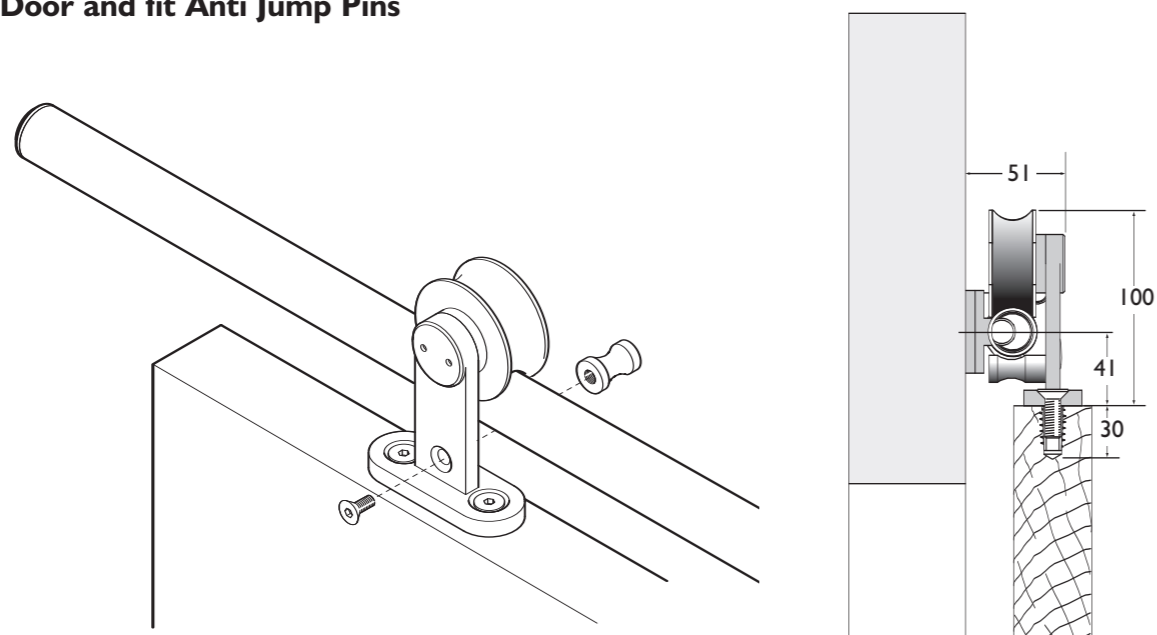
## 5 Routing Detail for Floor Guide



## 7 Fit Floor Guide



## 6 Hang Door and fit Anti Jump Pins



## 8 Fit Door Stops and End Caps

