

PACER AND FLEXIROL STRAIGHT SLIDING DOOR SYSTEMS

The main advantage of using a straight sliding system is that it saves room space, as the door does not require a swing or stacking space to open. Using straight sliding systems therefore makes perfect sense when space is at a premium. Sliding doors also offer a touch of individuality to a room design.

P C Henderson's commercial range of straight sliding door systems covers door weights up to 500kg. The three products in this range, Husky, Pacer and Flexirol have all been designed for high performance with particular attention to aesthetic appearance.

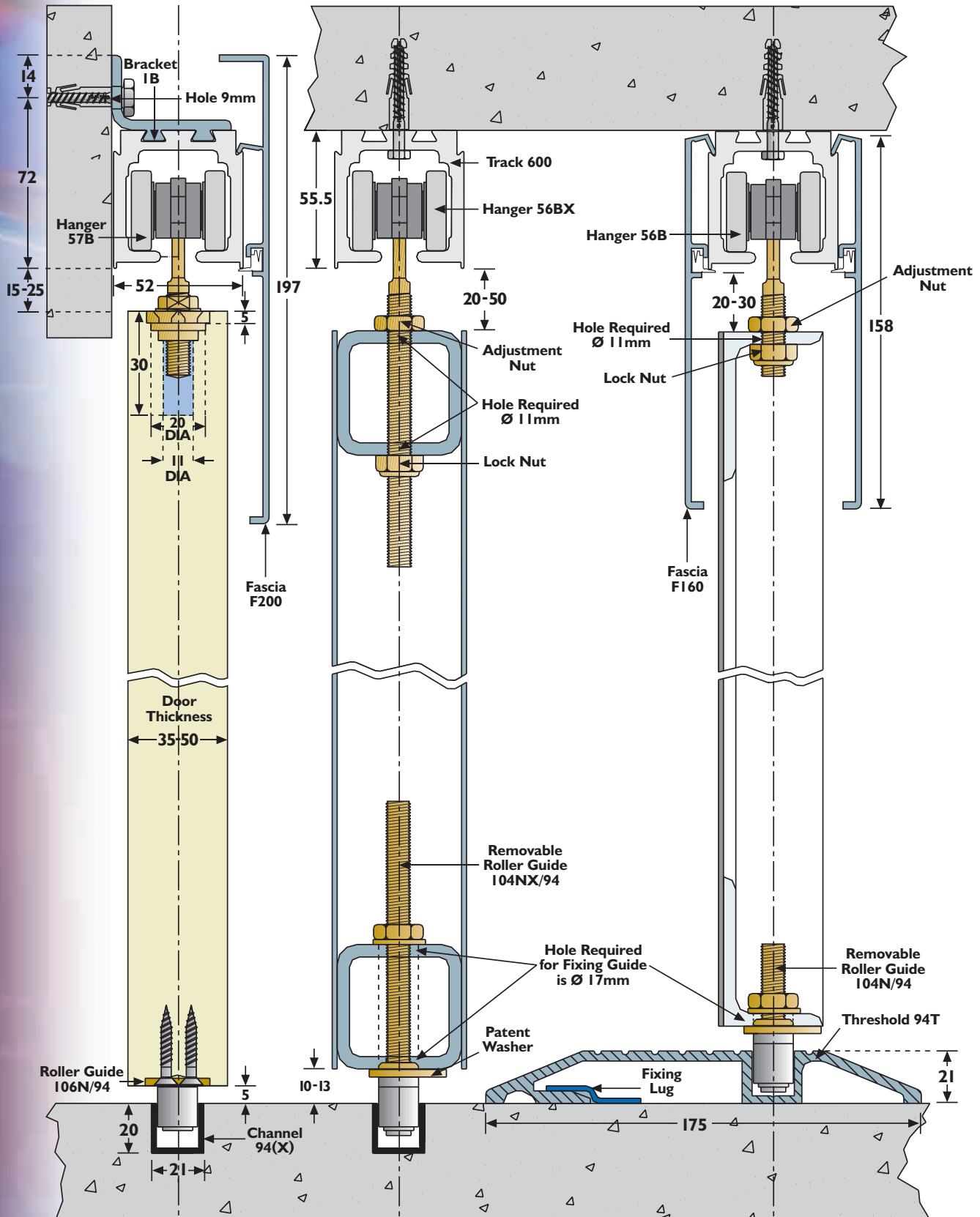
With this goal in mind, both Husky and Pacer straight sliding systems have been designed to accommodate a range of clip-on aluminium fascia also supplied by P C Henderson. This aluminium fascia is supplied as standard in a satin anodised finish, with other finishes available on request.

In today's modern working environment the use of glass as an important design element has become widespread practice. To meet this challenge, Pacer and Flexirol systems offer the option of glass panels, in 8, 10 and 12mm thickness.

Pacer is particularly versatile when used in conjunction with glass, offering the opportunity for fixed glass panels to be integrated with the track system in a unique integrated track profile.



PACER STRAIGHT SLIDING FOR TOP-HUNG TIMBER AND METAL DOORS



CAPACITY

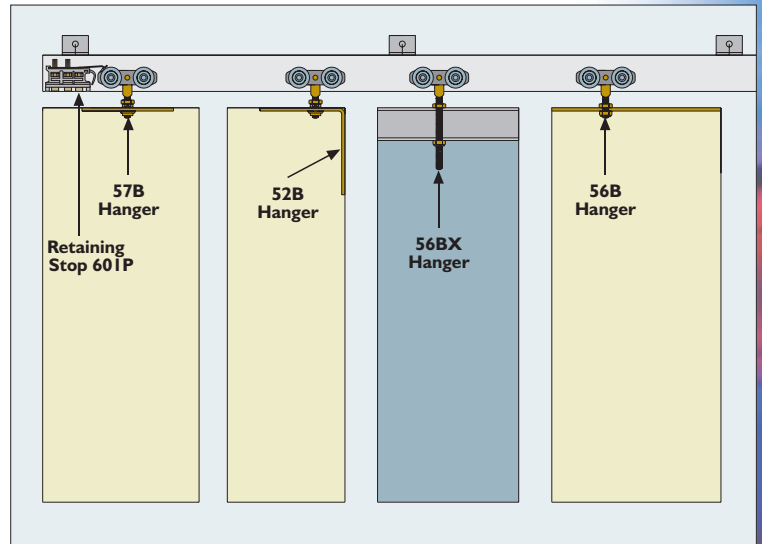
Max. door weight: 200kg
 Max. door height: 3000mm
 Door thickness: 35mm-50mm

APPLICATIONS

Combining performance and style with versatility, Pacer straight sliding in timber, glass, aluminium or metal is ideally suited to the modern arena of shop-fronts, offices and other stylish interiors.

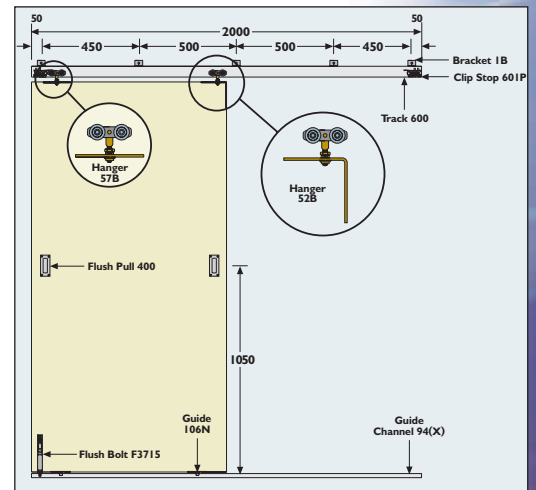
DOOR TYPES

Timber doors for interior applications can be either solid or glazed. Metal doors can be of angle or box section. Aluminium is dependent on extrusion profile.



TECHNICAL INFORMATION

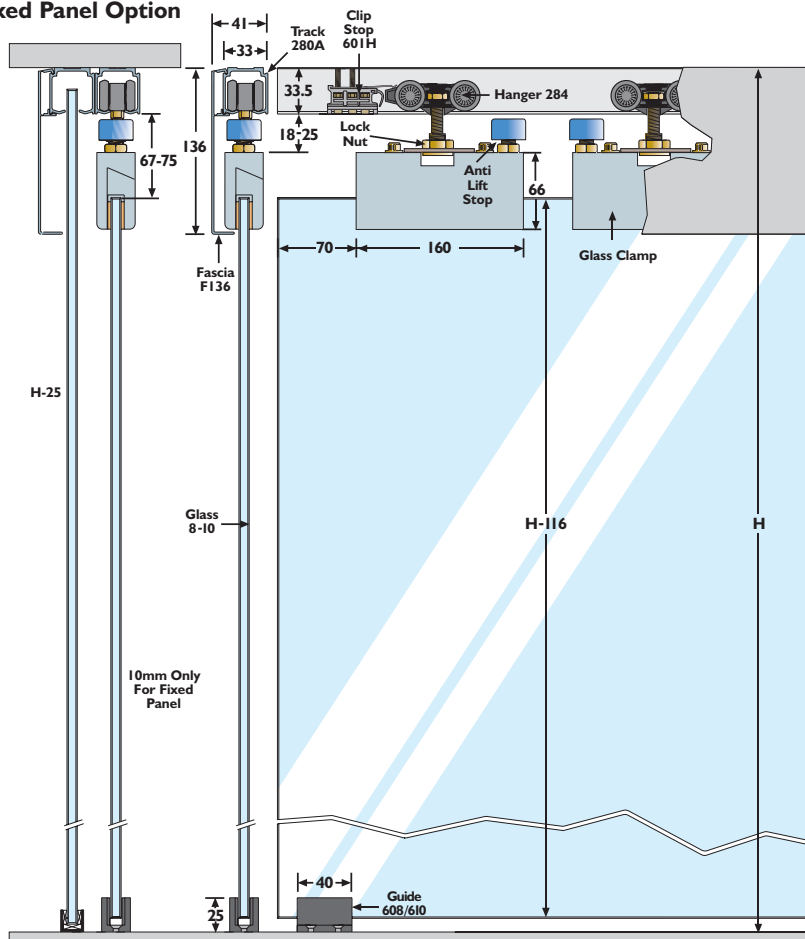
Track:	Aluminium	600
	Available in 2000mm, 2500mm, 3000mm, 3500mm, 4000mm and 6000mm lengths	
Brackets:	Face fix	IB
	Jointing bracket	IBX
Fascias:	Soffit fixed track	F160 with standard return
	Face fixed track	F200 with standard return
	Fascia comes in a satin anodised aluminium finish in lengths of 2000mm, 2500mm, 3000mm, 3500mm, 4000mm and 6100mm	
Hangers:	Wood doors	57B - concealed fixing
	Wood doors	52B - angle plate fixing
	Aluminium/Metal doors	57B - concealed fixing
	Metal doors	56B - angle frame
	Metal doors	56BX - box frame
Guides:	Wood/Aluminium/Metal doors	89/2N - floor mounted guide
	Wood/Aluminium doors	106N/94 - concealed fixing
	Metal doors	104N/94 - angle frame
	Metal doors	104NX/94 - box frame
Guide Channel:	Brass	94
	Aluminium	94X
	Aluminium threshold/guide channel	94T
	94 channel available in 1500mm and 3000mm lengths.	
	94X channel available in 1500mm, 2000mm, 2500mm, 3000mm lengths.	
	Aluminium threshold available in 2000mm, 2500mm, 3000mm, 3500mm, 4000mm and 6000mm lengths.	
Accessories:	Retaining stop mounted within the track 60IP	
	Track Stop HH3/290	



HUSKY GLASS



Fixed Panel Option



CAPACITY

- Max. door weight: 75kg
- Max. door height: 2400mm
- Max. door width: 1250mm
- Glass thickness: 8mm and 10mm

APPLICATIONS

Husky offers a solution to lightweight glass applications such as office doors and small glass partitions.

DOOR TYPES

Glass panels of 8mm or 10mm thickness in BS6206 toughened glass.

Note: when using glass clamps in combination with protective coatings for glass surfaces such as Clear Shield, ensure that the glass surface to be clamped is not treated with the Clear Shield coating.

TECHNICAL INFORMATION

Track: 280A (extruded aluminium)
Available in 1500mm, 2000mm, 2500mm, 3000mm lengths

Brackets: Face fix 281

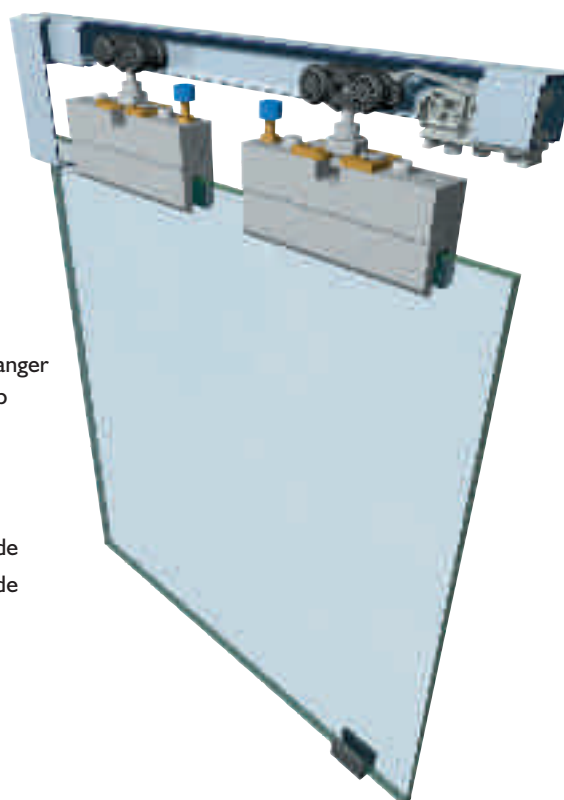
Fascias: Soffit fixed track F136

Glass clamp kit: 8mm or 10mm glass panels 8/10/H100 - hanger and glass clamp

Kit consist of two 284 hangers, two glass clamps, two 601H retaining stops, and an 8mm and 10mm guide

Guides: 8mm glass panels 608 - glass guide
10mm glass panels 610 - glass guide

Accessories: 601H retaining stop mounted within the track



PACER GLASS



CAPACITY

Max. door weight: 75kg and 130kg
 Max. door height: 3000mm
 Max. door width: 3000mm
 Glass thickness: 8mm, 10mm and 12mm

APPLICATIONS

The Pacer Glass Door System accommodates both sliding and fixed door panels, making it ideal for interior dividers in offices and shops as well as modern buildings and complexes.

DOOR TYPES

Glass panels of 8mm, 10mm or 12mm thickness in BS6206 toughened glass. For fixed glass panels an integrated track profile (600CFP) is available, allowing a sliding panel to pass alongside the fixed panel. A further option available is a clip-on profile (600FP) which attaches directly to the side of the track. This allows a combination of two fixed panels with a sliding panel.

Clip-on fascia is available for both soffit fix and face fix situations.

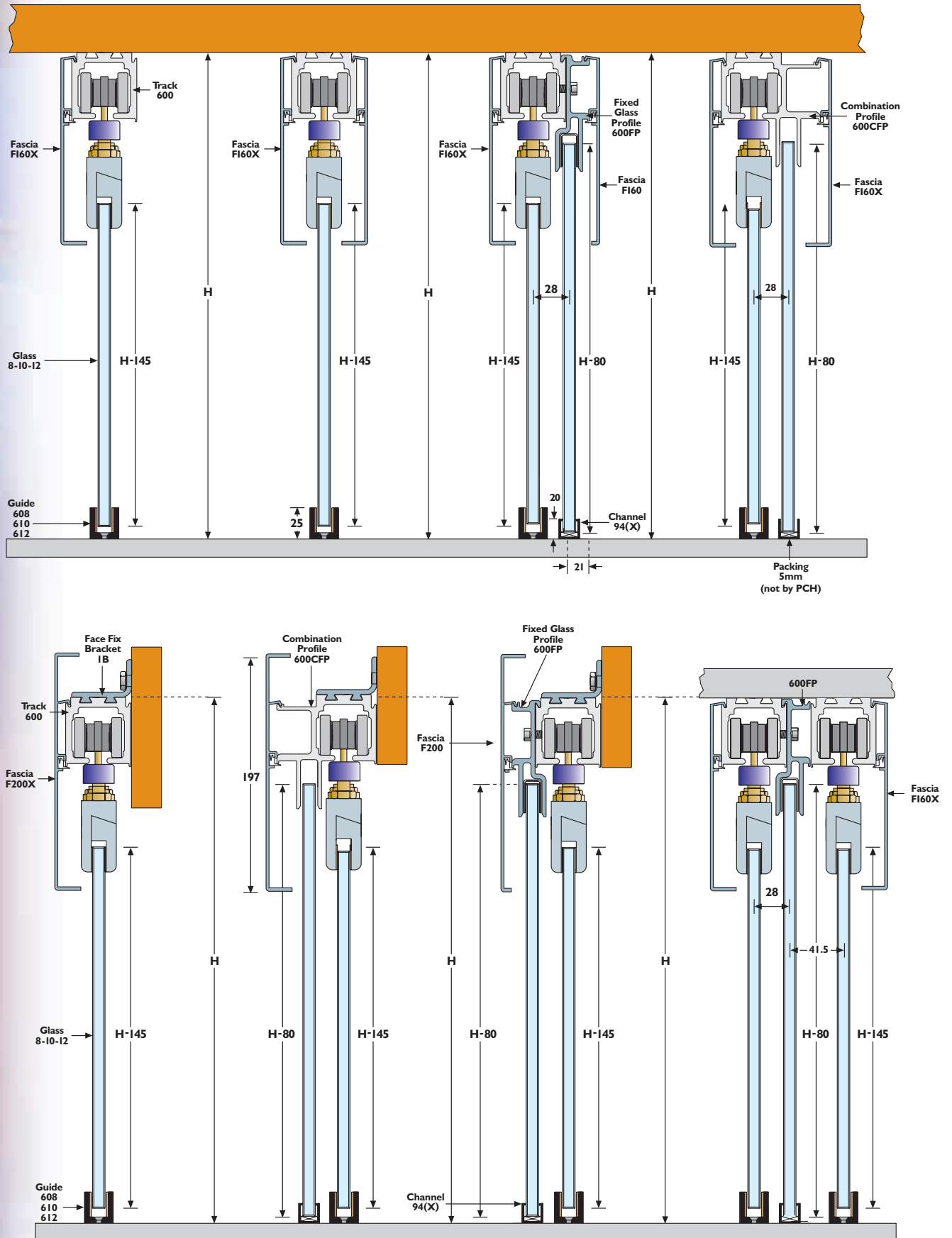
Note: when using glass clamps in the combination with protective coatings for glass surfaces such as Clear Shield, ensure that the glass surface to be clamped is not treated with the Clear Shield coating.

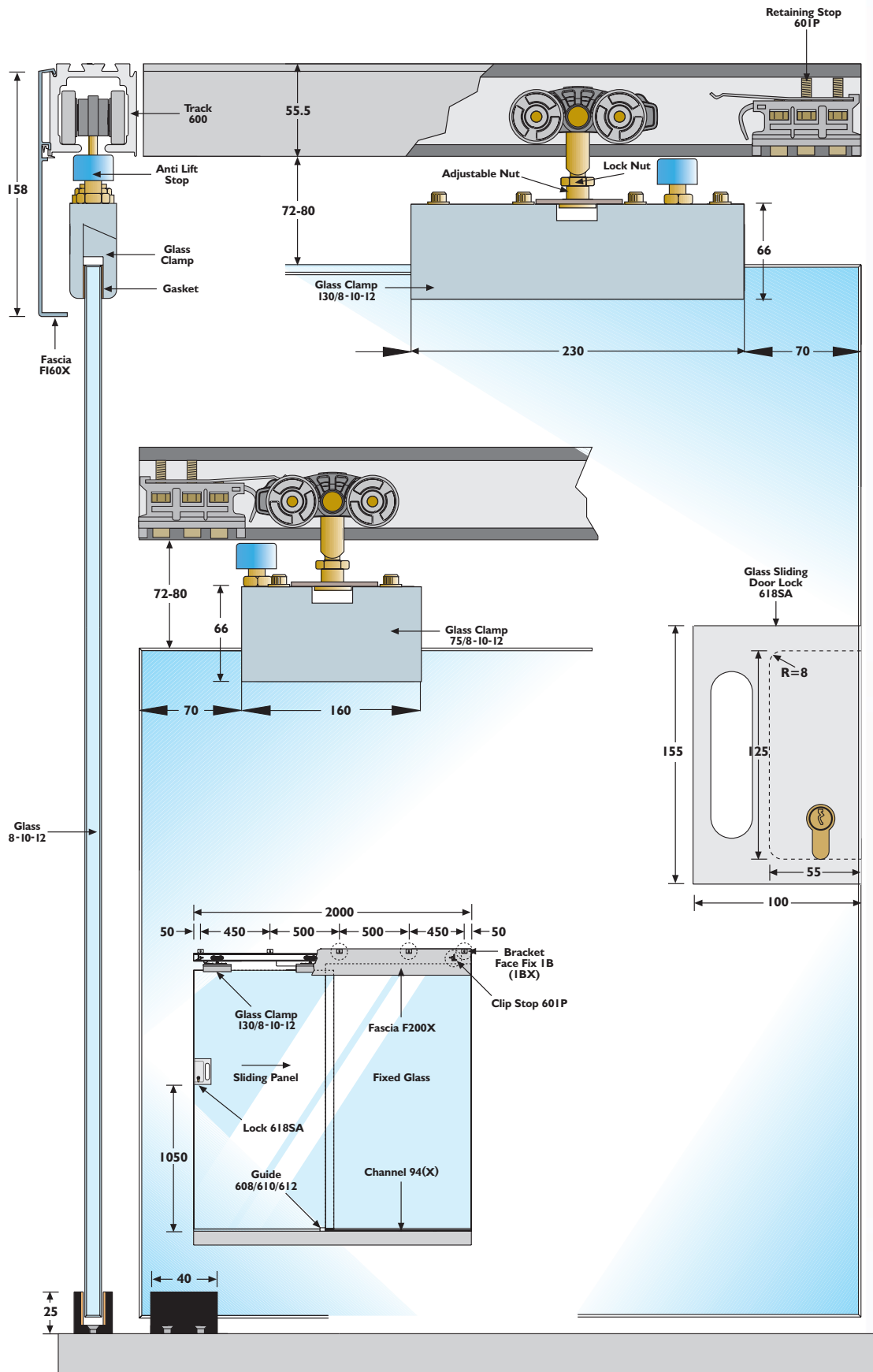
TECHNICAL INFORMATION

Track:	600 600CFP combination profile - track and fixed glass panel 600FP fixed glass panel profile All profiles available in 2000mm, 2500mm, 3000mm, 3500mm, 4000mm and 6000mm lengths	
Brackets:	Face fix Jointing bracket	1B 1BX
Fascias:	Soffit fixed track Face fixed track	F160X with extruded return F200X with extruded return
Glass Clamp Kits:	8mm or 10mm glass panels 12mm glass panels Kits consist of two 56 hanger assemblies, two glass clamp assemblies, a 608 and 610 or 612 guide and two 60IP retaining stops.	75kg capacity 8/10/75 130kg capacity 8/10/130 75kg capacity 12/75 130kg capacity 12/130
Accessories:	Handle sets (see Technical Department) Sliding door lock for glass panels Sliding door receiving lock Brush profiles (see Technical Department) Track stop Retaining stop mounted within the track	618SA (10mm and 12mm glass only) 619SA (10mm and 12mm glass only) HH3/290 60IP



PACER GLASS





CAPACITY

- Max. door weight: 500kg (556 hanger)
- Max. door height: 6000mm - timber or metal framed
 2600mm-10mm BS6206 toughened glass
 4000mm-12mm BS6206 toughened glass
- Max. door width: 6000mm - timber or metal framed
 1300mm-10mm BS6206 toughened glass
 1500mm-12mm BS6206 toughened glass
- Door thickness: 40mm-100mm - timber or metal framed
 10mm or 12mm - BS6206 toughened glass

APPLICATIONS

Henderson straight sliding Flexirol is ideally suited to hotels, conference centres, shop-fronts, showrooms or any site that requires high performance and attractive finish.

DOOR TYPES

- Timber doors, metal doors of either angle frame or box section and aluminium extrusion.
 BS6206 toughened glass panels of either 10 or 12mm thickness.

Note: when using glass clamps in combination with protective coatings for glass surfaces such as Clear Shield, ensure that the glass surface to be clamped is not treated with the Clear Shield coating.

TECHNICAL INFORMATION

Track:	550 (see components section for range of finishes)
Brackets:	Face fix 1A/550 Soffit fix 3S/550
Hangers:	Metal doors 556 Timber doors 556/57 - concealed fixing Timber doors 556/52 - angle plate fixing
Glass Profiles:	Glass profile FRP02 - (see Technical Department)
Guides:	Timber and metal doors 89/2N Timber doors 106N/94 Metal doors 104N/94 Metal doors, extended version 104NX/94
Guide Channel:	Brass 94 Aluminium 94X Aluminium threshold/guide channel 94T (refer to page 4)
Accessories:	Flush pull 400 Flush bolt 333/454 Narrow flush bolt and keep F3715 & F3734 Trackstop HH3/301 Sliding door lock for glass panels 618SA (10mm & 12mm glass only - see page 9) Brush profiles (see page 53) Handle sets (see page 33)

